

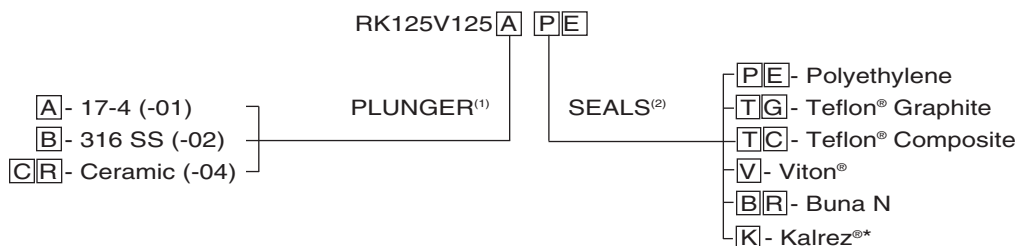


**WILLIAMS**  
MILTON ROY

# P750V & X SERIES PUMP REPAIR KITS

## REPAIR KIT NO. - RK750V400-□□ (1)-□□ (2)

PART NUMBER	DESCRIPTION	QUANTITY
BR-126-90	O-RING-BODY SEAL / BUNA N	1
CV202288	DISCHARGE CHECK VALVE	1
CV202298	SUCTION CHECK VALVE	1
MC400-02BR	PISTON U-CUP / BUNA N	1
PP201943-□□(1)	PISTON / PLUNGER ASSEMBLY	1
SS750V-□□(2)	PLUNGER SEAL SET	1
MC101946	SPRING - PISTON RETURN	1
G32IMI	1 OZ. SILICONE GREASE	1



## SEAL KIT NO. - SK750V400-□□ (2)

PART NUMBER	DESCRIPTION	QUANTITY
BR-016	O-RING-STROKE ADJUSTER / BUNA N	1
BR-111	O-RING-STROKE ADJUSTER / BUNA N	1
BR-126-90	I-RING-BODY SEAL / BUNA N	1
MC102174	PISTON GUIDE RING	1
MC400-02BR	PISTON U-CUP / BUNA N	1
SS750V-□□(2)	SEAL SET	1
G321M1	1 OZ. SILICONE GREASE	1

NOTE: The seal repair kits for the X Series plunger pumps are identical to the V Series shown above.

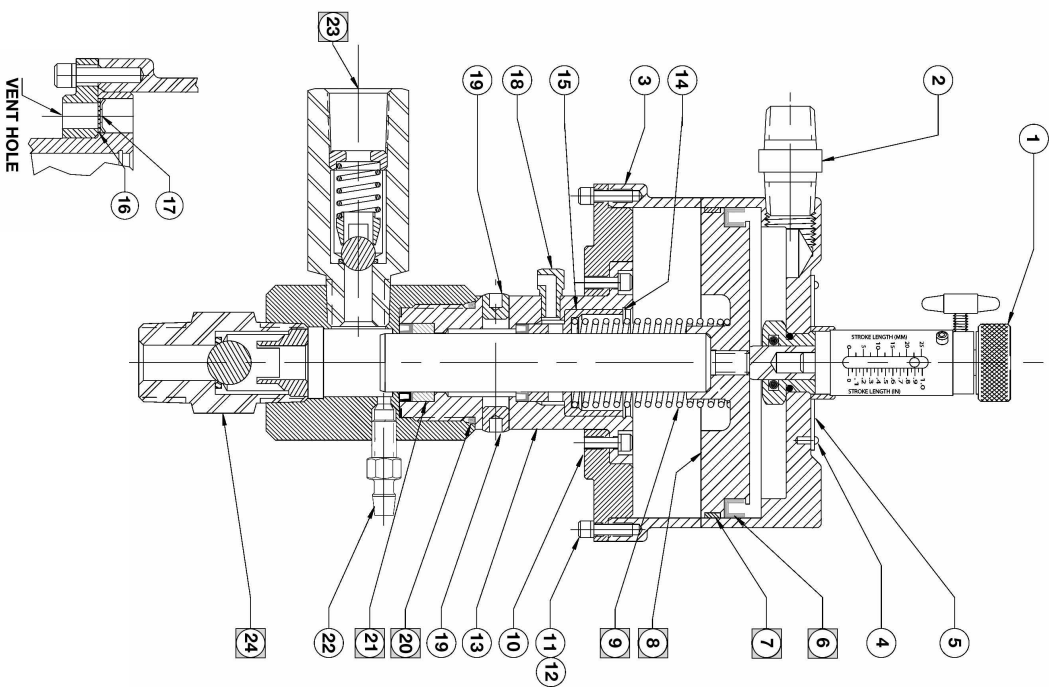
ALTERNATE PLUNGER SEAL SETS		
PART NO.	MATERIAL	PRESSURE RANGE (PSI)
SS750V-PE	Polyethylene (PE)	100-5000
SS750V-V	Viton® (V)	100-750
SS750V-BR	Buna N (BR)	100-750
SS750V-K	Kalrez® (K)	100-750
SS750V-EPR	Ethylene Propylene (EPR)	100-750
SS750V-TC	Teflon® Composite (TC)	100-5000

**(1) & (2):** To order the proper plunger and seal materials, please indicate the appropriate letter as shown in the example below. The letters following the dash for the piston plunger assembly (PP202219) and plunger seal set (SS125V) will correspond to the material chosen in the repair kit number.

NOTE: The pump repair kits for the X Series plunger pumps are identical to the V Series shown above.

\* Equivalent material substitution without notice.

# P750V & X SERIES PUMP PARTS LIST



ITEM	DESCRIPTION	NO. REQ. D	P750V/400 P750X/400
1	STROKE ADJUSTER ASSEMBLY	1	SA201941
2	HEX NIPPLE 3/8" NPT	1	HN38316
3	MOTOR CYLINDER	1	MC302172
4	DRIVE SCREWS - DATA PLATE	3	MC2316D
5	DATA PLATE	1	DP201962
6	U-CUP - PISTON, Buna N	1	MC400-02BR
7	GUIDE RING - PISTON	1	MC102174
8	ASSY - PISTON/PLUNGER (See Note 1)	1	PP201943-__ <sup>(1)</sup>
9	SPRING - PISTON RETURN	1	MC101946
10	FACE PLATE - CYLINDER	1	MC201961
11	WASHER, #8 SPLIT LOCK, SS	12	A83212SHCS
12	ASSY - BODY & FLUID CYLINDER	1	W8L
13	RETAINER - SPRING SEAT	1	PP301948
14	SEAT - SPRING	1	MC101951
15	DISC - FILTER, 60 MICRON, SS	1	MC201952
16	RETAINER - FILTER DISC	4	MC102360
17	PLUG - VENT, 1/16" NPT	4	MC102150
18	PLUG - 1/8" NPT	2	PP102143
19	O-RING - BODY SEAL, Buna	1	OS601
20	PLUNGER SEAL SET (NOTE 2)	1	BR-126-90
21	BLEEDER PLUG W/ HOSE BARB	1	SS750V-__ <sup>(2)</sup>
22	ASSY - CV8 DISCHARGE CHECK VALVE	1	BV202139
23	CHECK VALVE BODY	1	CV202288
23a	SPRING	1	CV102046
23b	7/16" BALL - 316SS	1	CV102046
23c	BALL SEAT	1	CV102313
23d	SLEEVE	1	CV202291
23e	O-RING - TEFLON	1	CV202292
23f	RETAINER - SLEEVE	1	T-012
23g	ASSY - CV12 SUCTION CHECK VALVE	1	CV202293
24	CHECK VALVE BODY	1	CV202298
24a	9/16" BALL - 316SS	1	CV202299
24b	SLEEVE	1	CV102314
24c	O-RING - TEFLON	1	CV202300
24d	RETAINER - SLEEVE	1	T-112
24e		1	CV202303
N/A	PUMP REPAIR KIT (See Notes 1&2)	1	RK750V400-__ <sup>(3)</sup>
N/A	SEAL KIT (See NOTE 2)	1	SK750V400-__ <sup>(3)</sup>
N/A	PLUNGER SEAL SET (See Note 2)	1	SS750V-__ <sup>(3)</sup>

**Note 1: PLUNGER (item #8)** Designate the proper plunger material by adding the proper suffix to the base number:  
for 17-4 pH (01), for 316 SS (02), and for Ceramic (04).

**Note 2: PLUNGER SEAL SETS (item #21)** Designate the proper seal material by adding the proper suffix to the base part number:  
for Buna N (BR), Ethylene Polypropylene (EPR), or Kalrez<sup>®</sup> (K), Polyethylene (PE), Teflon<sup>®</sup> Composite (TC), or Viton<sup>®</sup> (V).

**REPAIR KITS:** The items identified with the symbol are contained in a complete pump repair kit. Controller and relay repair kits must be ordered separately.